

Oily Water Separators

IMO MEPC 107(49) MED Type approved



5ppm's
Feature Available

Main Features & Advantages

- Detegasa's Oily Water Separators are designed to ensure a smooth operation on board
- Reliable Performance.
- Easy Installation and low maintenance required
- Customized solutions to comply with different hazardous zones and military requirements.

DETEGASA

Tel: +34-981494000
Fax: +34-981486352
www.detegasa.com
commercial@detegasa.com



OHSAS 18001
BUREAU VERITAS
Certification



ISO 9001
BUREAU VERITAS
Certification

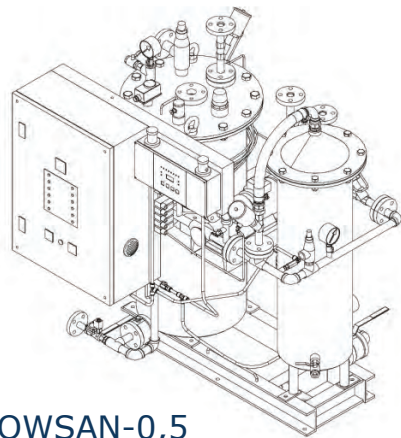


DETEGASA

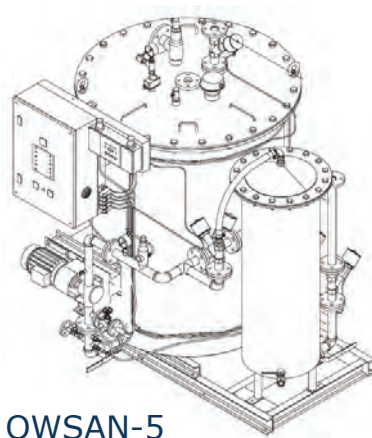
Carretera Castro-Meiras S/N
Tuimil-Sequeiro
Valdoviño-15550
Spain

Oily Water Separators

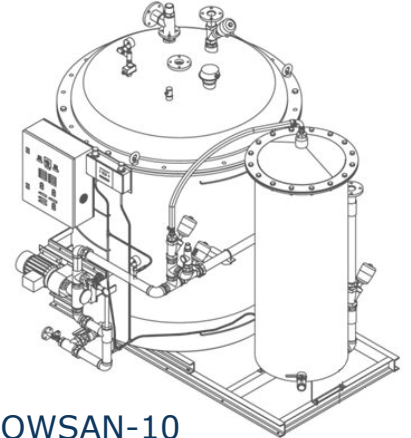
SEPARATOR MODELS	CAPACITIES (m3/h)	L (mm)	H (mm)	W (mm)
OWSAN-0,5	0,5	1122	1342	984
OWSAN-0,1	1	1125	1410	975
OWSAN-2,5	2,5	1512	1792	1287
OWSAN-5	5	1865	2080	1615
OWSAN-7,5	7,5	2388	2309	1858
OWSAN-10	10	2566	2447	2102



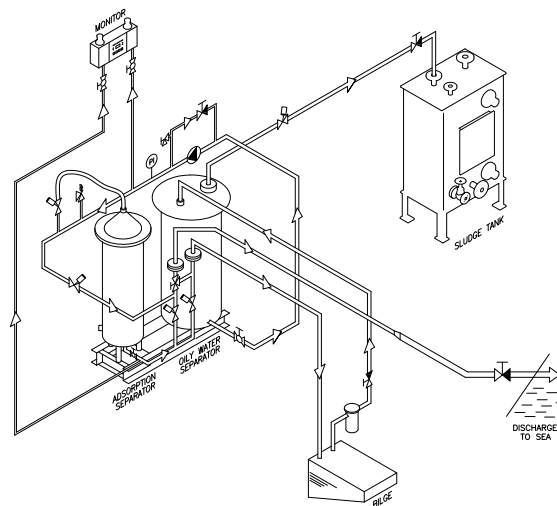
OWSAN-0,5



OWSAN-5



OWSAN-10



The first stage consists on separating the free hydrocarbons on the gravity separator, whereas the second stage treats the emulsions, if any, by an adsorption process.



detegasa
DELTA